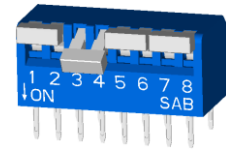
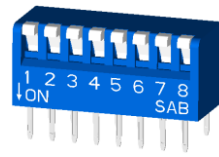


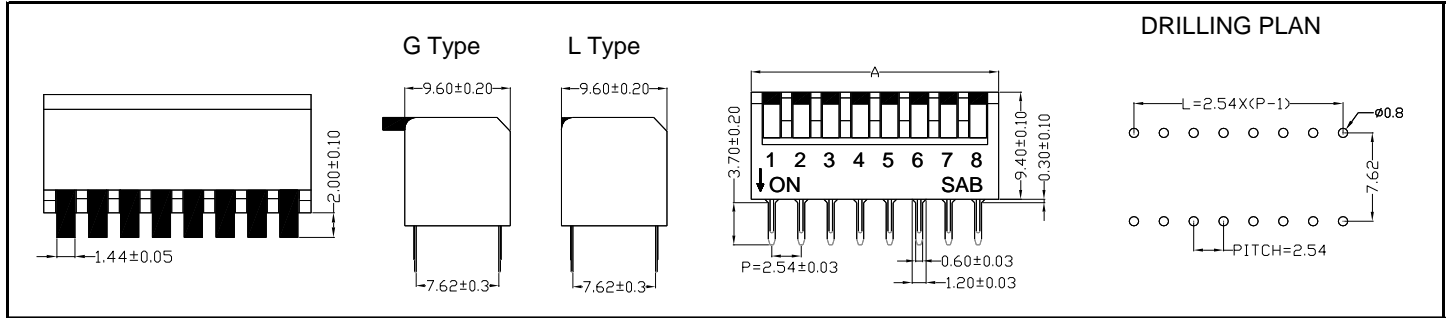


Features

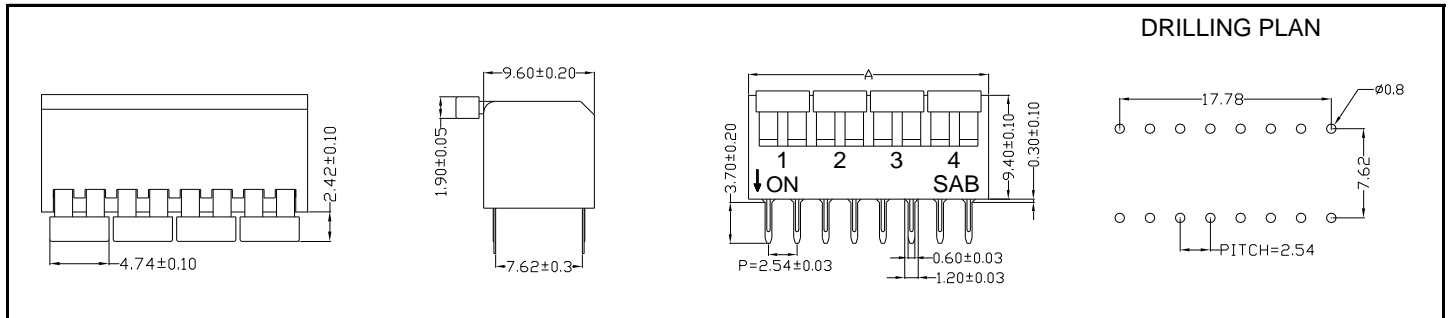
- ◆ Gold-plated contact points & double movable contacts to ensure reliability and longer life expectancy
- ◆ Unique twin suspended springs offer high resistance to physical shock & vibration
- ◆ Clear ON/OFF actuation clicks
- ◆ Insert-molding technology avoids epoxy and water from intruding



BP



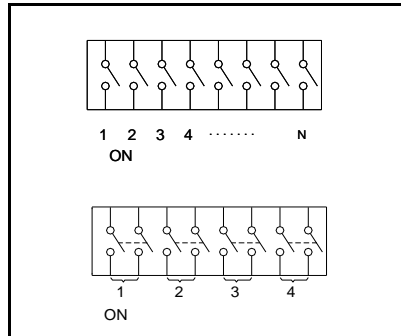
BP2F



Specifications

- ◆ Contact Rating
 - Switching 25mA, 24VDC
 - Non-Switching 100mA, 50VDC
- ◆ Contact Resistance
 - Initial 50mΩ Max
 - After Life Test 100mΩ Max.
- ◆ Insulation Resistance 100MΩ min at 500VDC
- ◆ Dielectric Strength 500VAC/ 1 minute
- ◆ Operating Force..... 1,000g Max
- ◆ Mechanical Life..... 5,000 cycles
- ◆ Electrical Life..... 2,000 cycles

Wiring Diagram



P/N	No. Of Pole	Dim. A	Quantity per Tube
BP01	1	3.54mm	148
BP02	2	6.08mm	85
BP03	3	8.62mm	61
BP04	4	11.16mm	47
BP05	5	13.70mm	38
BP06	6	16.24mm	32
BP07	7	18.78mm	28
BP08	8	21.32mm	24
BP09	9	23.86mm	22
BP10	10	26.40mm	20
BP12	12	31.48mm	16
BP2F01	1	6.08mm	85
BP2F02	2	11.16mm	47
BP2F03	3	16.24mm	32
BP2F04	4	21.32mm	24
BP2F05	5	26.40mm	20
BP2F06	6	31.48mm	16

Soldering information

- ◆ Hand Soldering
 - Soldering Iron 30W(or under) at 350°C for 3 sec. max. or at 270°C for 5 sec. max.
- ◆ Wave Soldering
 - 260±5°C for 10 sec. max.
- ◆ Keep all actuators in "OFF" position during soldering and cleaning process

Materials

- ◆ **Cover:** Thermoplastic UL 94V-0; Blue, Red & Black
- ◆ **Base:** Thermoplastic UL 94-HB, Black
- ◆ **Actuator:** Thermoplastic UL 94-HB, White
- ◆ **Contact:** Copper Alloy, Gold-plated
- ◆ **Terminal:** Copper Alloy, Pure-Tin-plated
- ◆ **Tape Sealed:** Polyester Film

Packaging Information

- ◆ All DIP switches are shipped in Tube
- ◆ Actuators all in "OFF" position

Order Information

