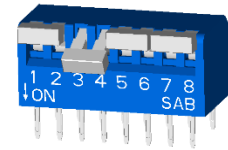
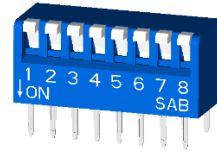


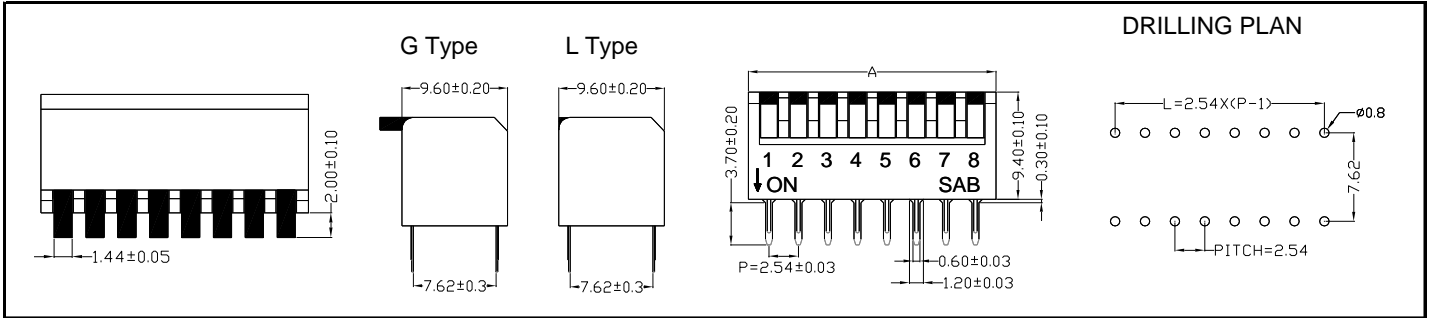


Features

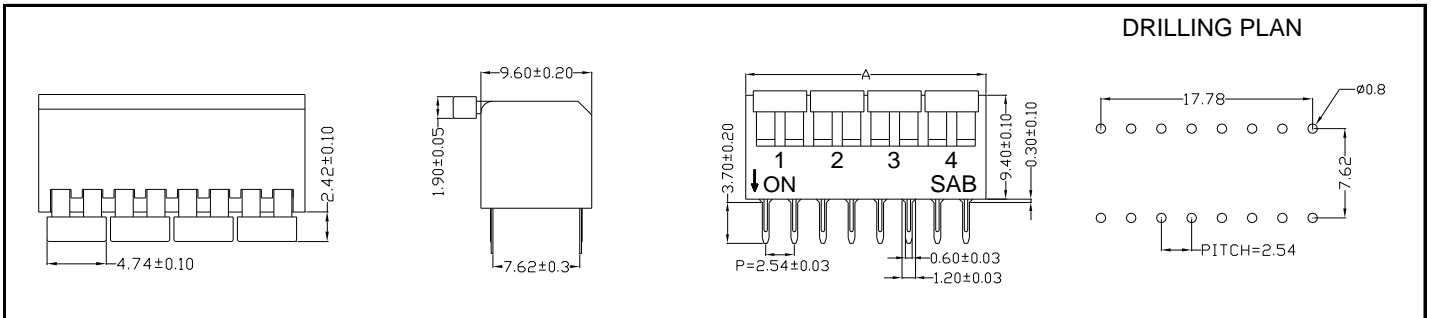
- ◆ Gold-plated contact points & double movable contacts to ensure reliability and longer life expectancy
- ◆ Unique twin suspended springs offer high resistance to physical shock & vibration
- ◆ Clear ON/OFF actuation clicks



BP



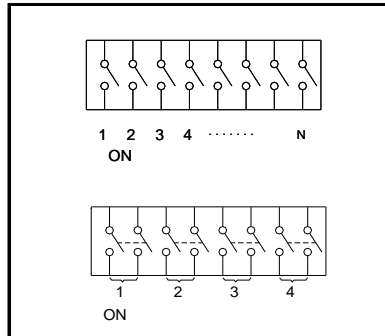
BP2F



Specifications

- ◆ Contact Rating
  - Switching ..... 25mA, 24VDC
  - Non-Switching ..... 100mA, 50VDC
- ◆ Contact Resistance
  - Initial ..... 50mΩ Max
  - After Life Test ..... 100mΩ Max.
- ◆ Insulation Resistance ..... 100MΩ min at 500VDC
- ◆ Dielectric Strength ..... 500VAC/ 1 minute
- ◆ Operating Force..... 1,000g Max
- ◆ Mechanical Life..... 5,000 cycles
- ◆ Electrical Life..... 2,000 cycles

Wiring Diagram



P/N	No. Of Pole	Dim. A	Quantity per Tube
BP01	1	3.54mm	148
BP02	2	6.08mm	85
BP03	3	8.62mm	61
BP04	4	11.16mm	47
BP05	5	13.70mm	38
BP06	6	16.24mm	32
BP07	7	18.78mm	28
BP08	8	21.32mm	24
BP09	9	23.86mm	22
BP10	10	26.40mm	20
BP12	12	31.48mm	16
BP2F01	1	6.08mm	85
BP2F02	2	11.16mm	47
BP2F03	3	16.24mm	32
BP2F04	4	21.32mm	24
BP2F05	5	26.40mm	20
BP2F06	6	31.48mm	16

Materials

- ◆ Cover: Thermoplastic UL 94-HB, Blue/Red/Black
- ◆ Base: Thermoplastic UL 94-HB, Black
- ◆ Actuator: Thermoplastic UL 94-HB, White
- ◆ Contact: Copper Alloy, Gold-plated
- ◆ Terminal: Copper Alloy, Pure-Tin-plated
- ◆ Tape Sealed: Polyester Film

Packaging Information

- ◆ All DIP switches are shipped in Tube
- ◆ Actuators all in "OFF" position

Order Information

