

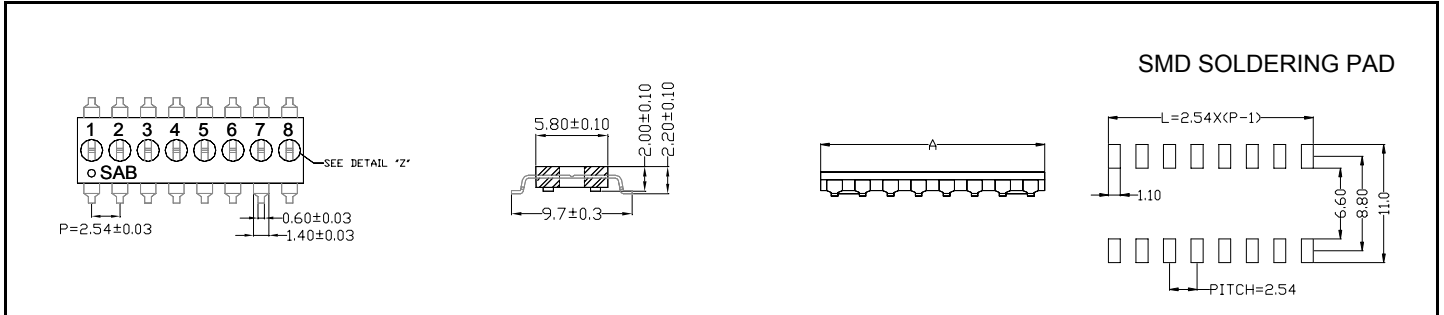


Features

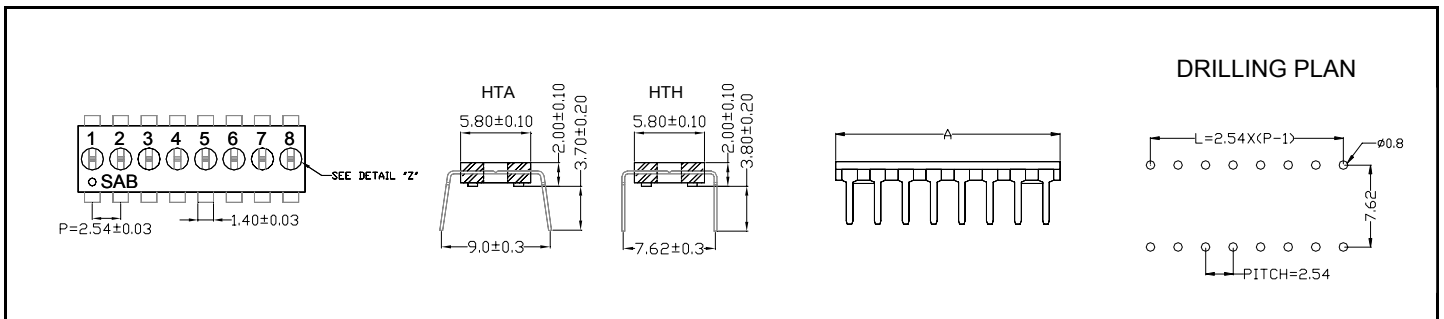
Low cost DIP shunt for when switches only to be setted once. Opposing pins are interconnected, poles required to be open can easily be broken using a ball pen. All shunts can be supplied either un-programmed or preprogrammed.



HTS



HTA/H



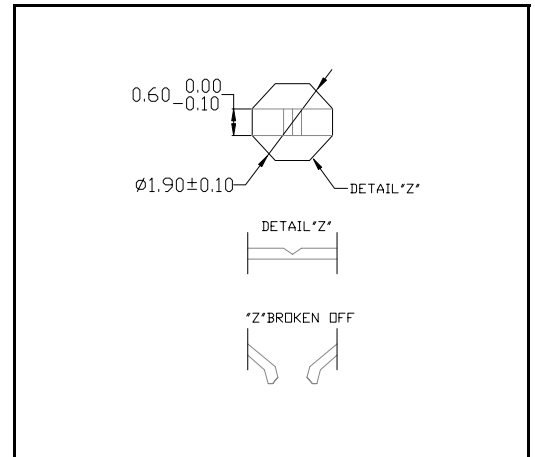
Specifications

Rating..... 1A
Insulation Resistance 100MΩ min at 500VDC
Dielectric Strength 500VDC/1 minute
Operating Temperature..... -55 ~150

Materials

Base: High Temperature UL 94V-0 Thermoplastic, Black.
Terminal: Copper Alloy with Pure-Tin.
Tape Sealed: Polyimide film.

Wiring Diagram



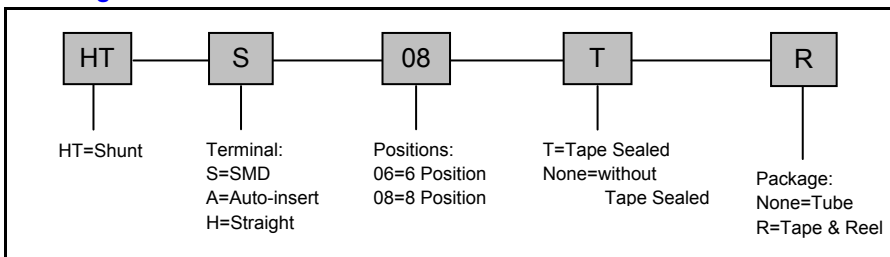
Soldering Information

Hand Soldering
Soldering Iron 30W at under 350 /3 sec. Max. or at 270 /5 sec. Max.
Wave Soldering
Temperature: 260 10 sec. Max.
Reflow Soldering.
260 ±5 within 30 sec. In-line or Batch system.

Packaging Information

All DIP switches are shipped in Tube.

Ordering Information



Package

Table with 4 columns: P/N, No. Of Pole, Dim. A, Quantity per Tube. Rows include HTS/A/H 02 through 12.