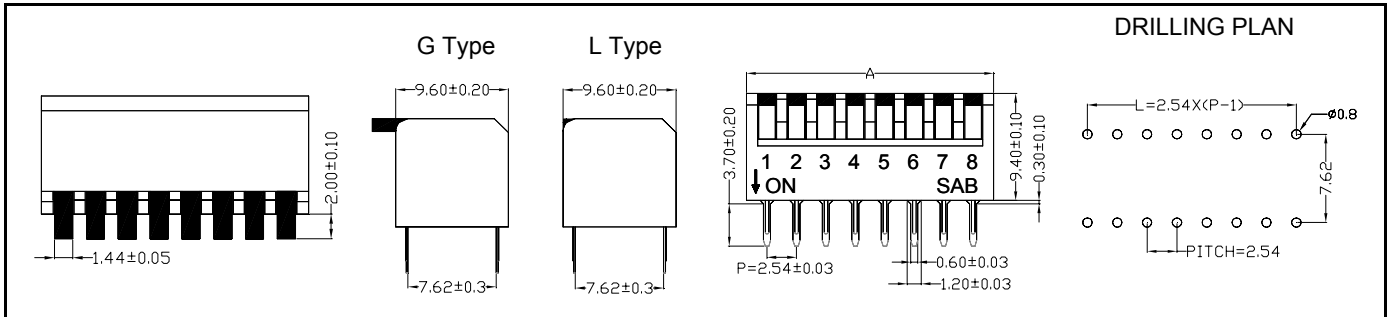


Features

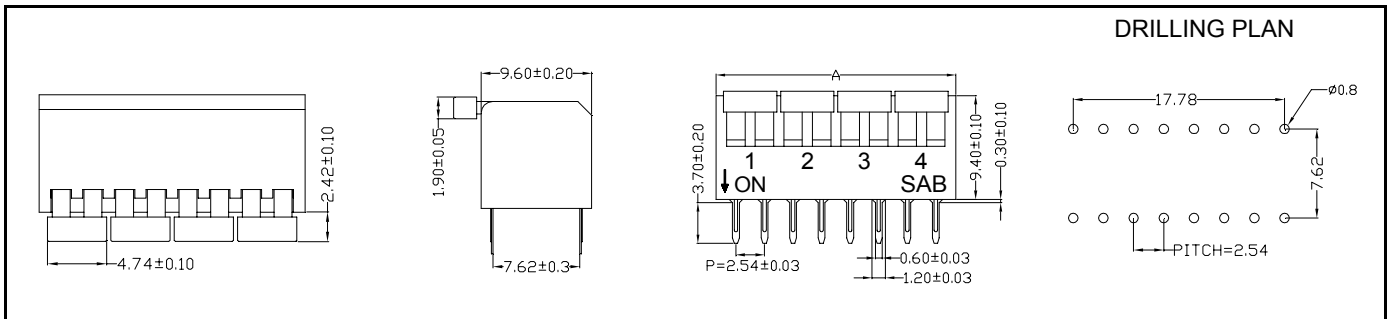
By employing engineering plastic, this item has an excellent heat and chemical resistance. Standard gold-plated contact points & double movable contacts ensure reliability and longer life expectancy. Compatible for automatic cleaning. High pressure wiping contacts allows aqueous of solvent cleaning. Insert-molding technology guarantee to avoid epoxy and water from intruding.



BP



BP2F



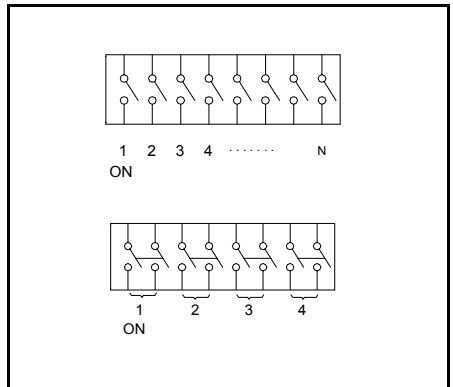
Specifications

- Contact Rating
- Switching 25mA, 24VDC
- Non-Switching 100mA, 50VDC
- Contact Resistance
- Initial 50mΩ Max
- After Life Test 100mΩ Max.
- Insulation Resistance 100MΩ min at 500VDC
- Dielectric Strength 500VDC/1 minute
- Operating Force..... 1,000g Max
- Mechanical Life..... 5,000 cycles
- Electrical Life..... 2,000 cycles

Materials

- Cover:** High Temperature UL 94V-0 Thermoplastic, Blue, Red, Black.
- Base:** High Temperature UL 94V-0 Thermoplastic Black.
- Actuator:** High Temperature UL 94V-0 Thermoplastic, White.
- Terminal & Movable Contact:** Copper Alloy with Gold Plated.
- Terminal:** Copper Alloy with Pure-Tin Plated.
- Tape Sealed:** Polyester Film .

Wiring Diagram



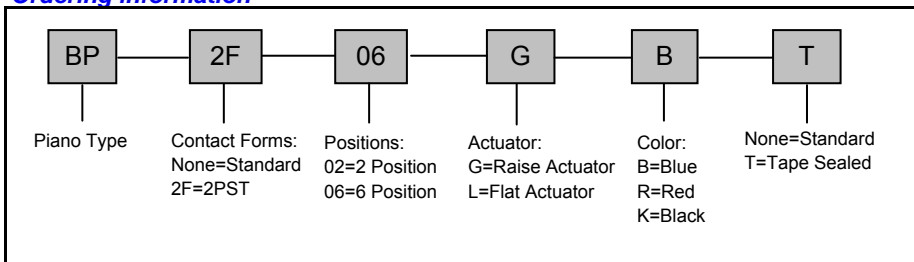
Soldering information

Hand Soldering
Soldering Iron 30W at under 350 /3 sec. Max. or at 270 /5 sec. Max.
Wave Soldering
Temperature: 260 /10 sec. Max.
Keep all actuators in "OFF" position during soldering and cleaning process.

Packaging Information

All DIP switches are shipped in Tube.
Actuators all in "OFF" position.

Ordering Information



P/N	No. Of Pole	Dim. A	Quantity per Tube
BP01	1	3.54mm	148
BP02	2	6.08mm	85
BP03	3	8.62mm	61
BP04	4	11.16mm	47
BP05	5	13.70mm	38
BP06	6	16.24mm	32
BP07	7	18.78mm	28
BP08	8	21.32mm	24
BP09	9	23.86mm	22
BP10	10	26.40mm	20
BP12	12	31.48mm	16
BP2F01	1	6.08mm	85
BP2F02	2	11.16mm	47
BP2F03	3	16.24mm	32
BP2F04	4	21.32mm	24
BP2F05	5	26.40mm	20
BP2F06	6	31.48mm	16

All of RoHS compliant we providing will remove "LF" after "P/N".